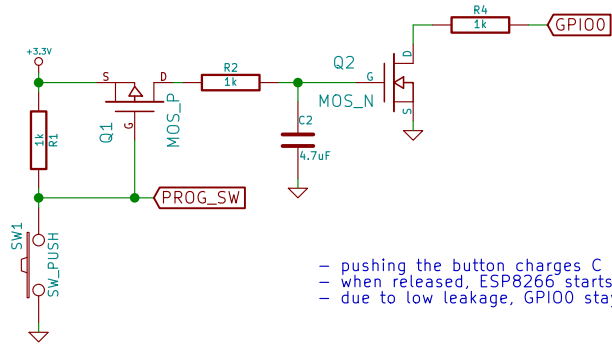
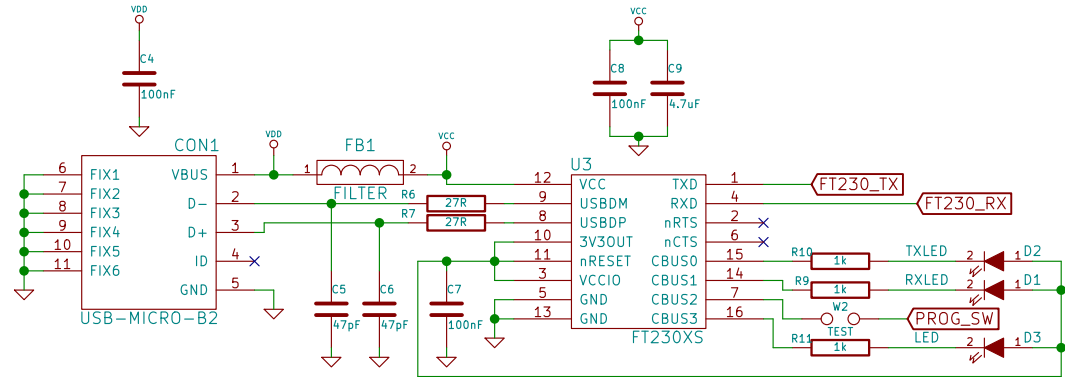


BOOTLOADER LOGIC

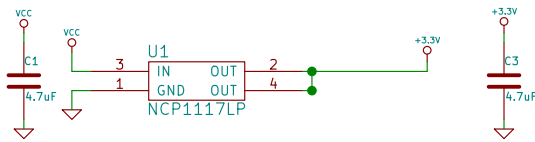


- pushing the button charges C
- when released, ESP8266 starts
- due to low leakage, GPIO0 stays low

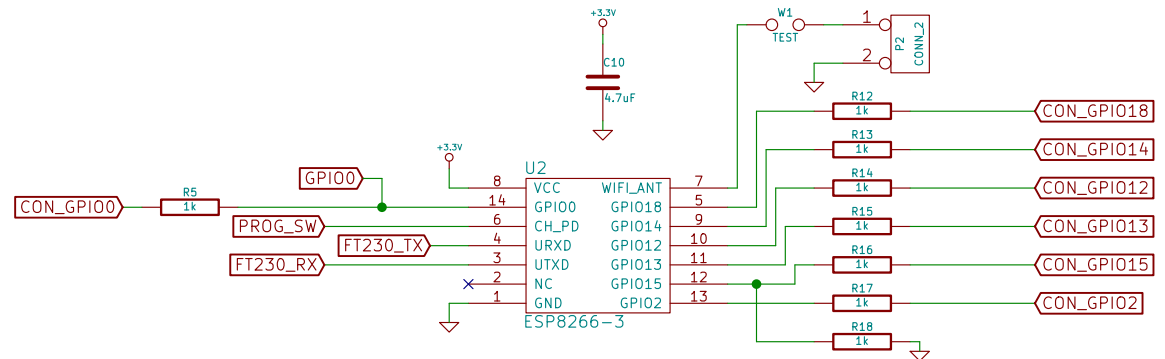
USB->UART CONVERSION



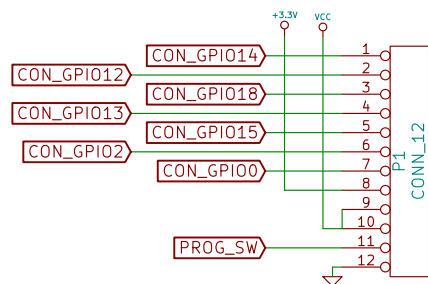
LDO



ESP8266-3 MODULE



BREAKOUT



www.limpkin.fr

Sheet: /
File: esp8266_breakout.sch

Title: Breakout board for ESP8266-3

Size: A4 Date: 2 dec 2014

KiCad E.D.A. kicad (2016-01-30 BZR 6528, Git 351752f)-product

Rev: A

Id: 1/1