

1 2 3 4 5

A

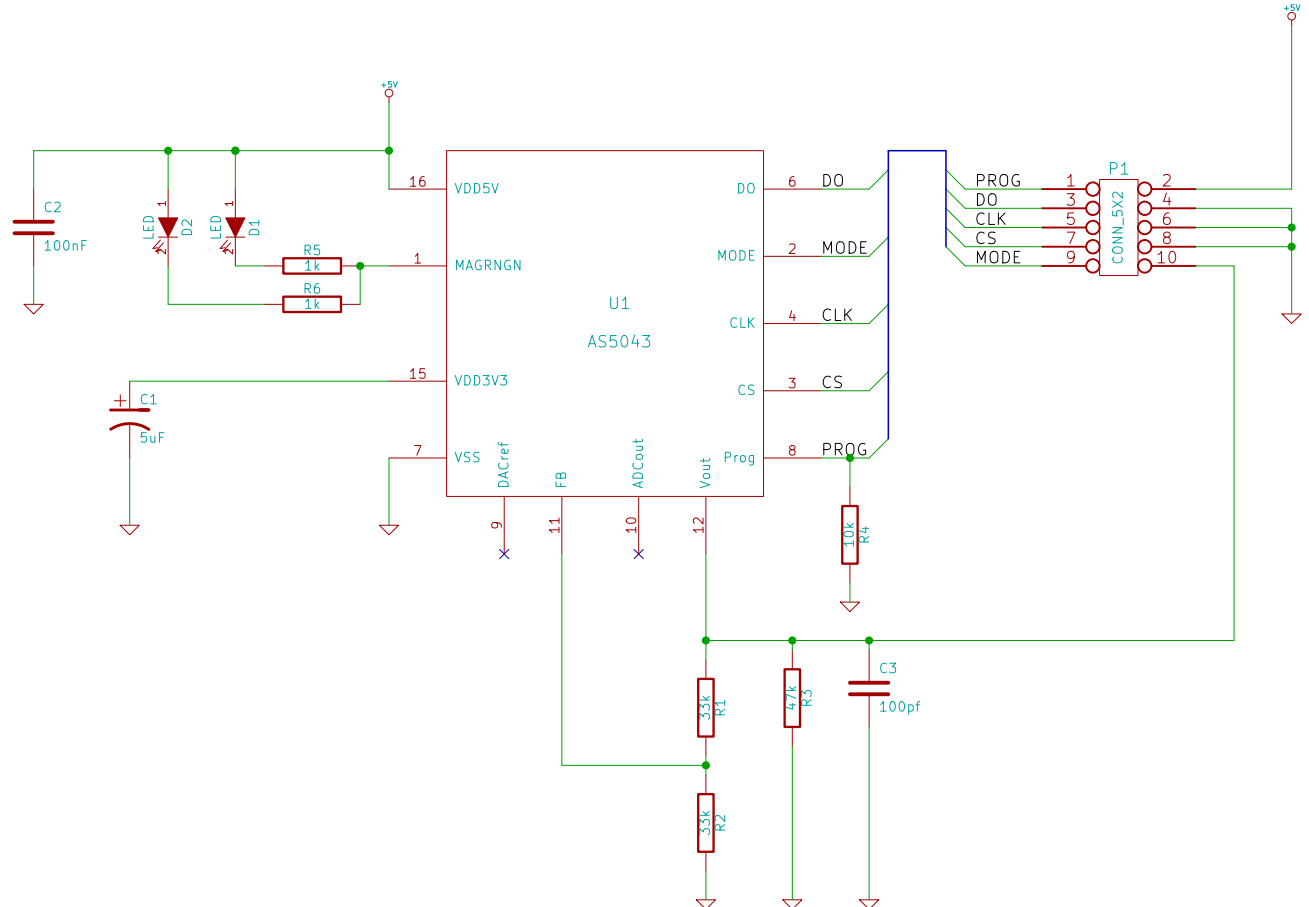
A

B

B

C

C



File: sensor-board.sch		Rev:	
Sheet: /		Id: 1/1	
Title: Sensor Board		Date: 30 jun 2012	
Size: A4	KiCad E.D.A.		

1 2 3 4 5